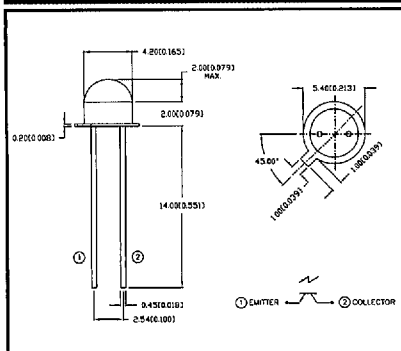


TO-18 METAL CAN PACKAGES

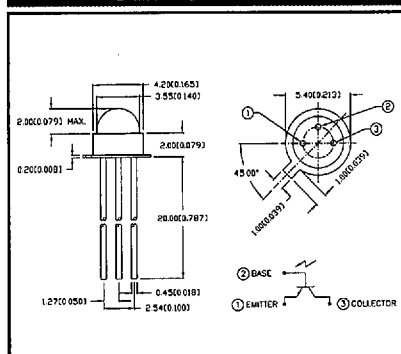
OED-ST-1MLAR2



Package Style	Lens	Limits of Safe Operation			I _{CEO} @ 10 V _{CEO} (nA) Max
		V _{CEO} (V) Max	PC (mW) Max	t- _{opr} (°C)	
TO-18 2 Leads	Black Lens	40	100	-25 ~ + 85	100

I _c (mA) @ EV ~ 1000 Lx				λ _p (nm) Typ	Δθ deg Typ	λ (nm)	tr/ft @ V _{EC} 5V I _c 1mA
Min	Typ	Max	V _{CE} (V)				
—	2.0	—	5.0	880	±70	550 ~ 1050	8/10 μS

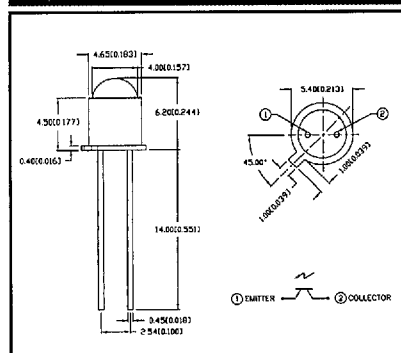
OED-ST-1MLB



Package Style	Lens	Limits of Safe Operation			I _{CEO} @ 10 V _{CEO} (nA) Max
		V _{CEO} (V) Max	PC (mW) Max	t- _{opr} (°C)	
TO-18 3 Leads	Clear Lens	40	100	-25 ~ + 85	100

I _c (mA) @ EV ~ 1000 Lx				λ _p (nm) Typ	Δθ deg Typ	λ (nm)	tr/ft @ V _{EC} 5V I _c 1mA
Min	Typ	Max	V _{CE} (V)				
—	2.0	—	5.0	880	±70	550 ~ 1050	8/10 μS

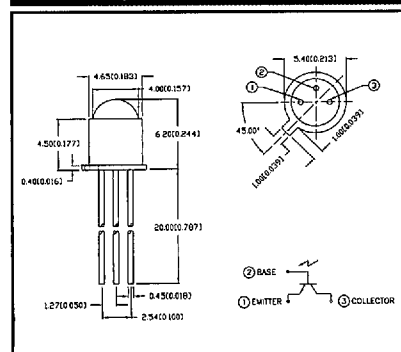
OED-ST-1KLA



Package Style	Lens	Limits of Safe Operation			I _{CEO} @ 10 V _{CEO} (nA) Max
		V _{CEO} (V) Max	PC (mW) Max	t- _{opr} (°C)	
TO-18 2 Leads	Clear Lens	40	100	-25 ~ + 85	100

I _c (mA) @ EV ~ 1000 Lx				λ _p (nm) Typ	Δθ deg Typ	λ (nm)	tr/ft @ V _{EC} 5V I _c 1mA
Min	Typ	Max	V _{CE} (V)				
—	6.0	—	5.0	880	±15	550 ~ 1050	8/10 μS

OED-ST-1KLB



Package Style	Lens	Limits of Safe Operation			I _{CEO} @ 10 V _{CEO} (nA) Max
		V _{CEO} (V) Max	PC (mW) Max	t- _{opr} (°C)	
TO-18 3 Leads	Clear Lens	40	100	-25 ~ + 85	100

I _c (mA) @ EV ~ 1000 Lx				λ _p (nm) Typ	Δθ deg Typ	λ (nm)	tr/ft @ V _{EC} 5V I _c 1mA
Min	Typ	Max	V _{CE} (V)				
—	6.0	—	5.0	880	±15	550 ~ 1050	8/10 μS